

Ensure the silicone is sitting parallel on the hole below it. Hold at eye level to check the position is correct

Ensuring that the AQUAvalve5 floods and drains correctly

- 1** Making sure your AQUAvalve5 floods and drains correctly is simply achieved and only takes a few seconds.
- 2** Hold the AQUAvalve5 at eye level so that you can see the silicone fitted to the top float resting on the hole below it.
- 3** The silicone must create a tight seal when touching the hole.
- 4** If it looks like it is not sitting parallel on the hole below, simply lift the top float and apply pressure to one side of the silicone, drop the float and hold at eye level again. Repeat the procedure if necessary.

Care and maintenance

- 1** At the end of your growing season, clean the AQUAvalve5 using warm soapy water. Using an old tooth brush will help.

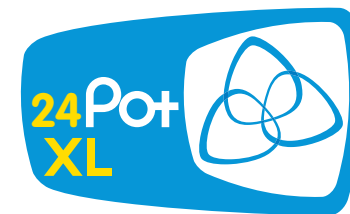
The AQUAvalve5 is easily disassembled. The top float will slide all the way across and the bottom float is unclipped from its pivoting position. The circular discs fitted to the top float can also be removed by using pliers to grip the raised point.

At this point it is advisable to remove the silicones to avoid them being lost.
- 2** It is also handy to have a paper clip or pipe cleaner to hand so that you can push it through the AQUAvalve5 nozzle, this will remove any lime scale build up that may have occurred during the growing season.

Blowing through the AQUAvalve5 nozzle will also help to remove any build up. Do not under any circumstances use a drill & drill bit to clear the AQUAvalve5 nozzle.

This will potentially damage the AQUAvalve5 beyond repair.

Your 24Pot XL system set-up guidelines



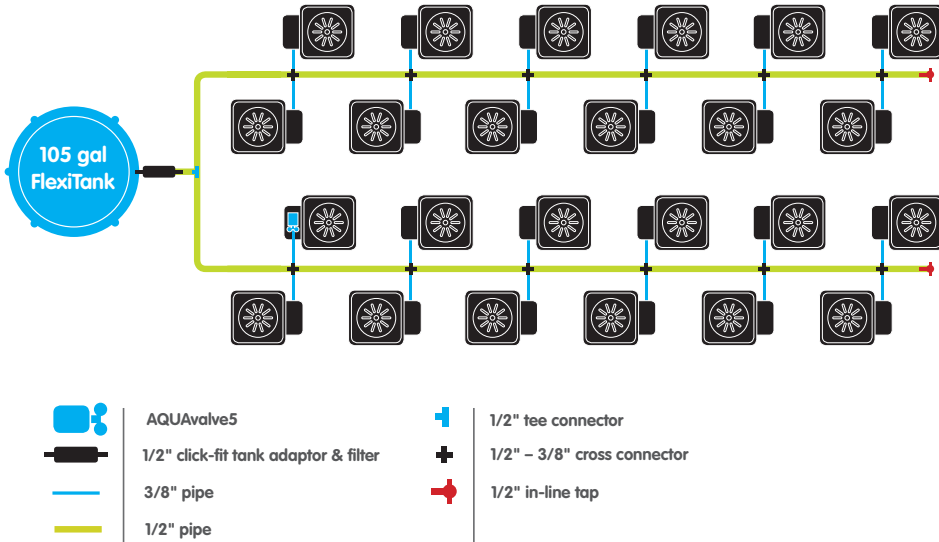
24Pot XL system contents

- 1x 105 gallon FlexiTank
- 1x 1/2" click-fit tank adaptor & filter
- 32ft of 1/2" pipe
- 2x 1/2" in-line tap
- 1x 1/2" tee connector
- 12x 1/2"-3/8" cross connector
- 24x 3/8" top hat grommet
- 24x 1Pot XL trays & lids
- 24x 6.6 gallon pot
- 24x AQUAvalve5
- 39ft of 3/8" pipe
- 24x PotSock Round

Plan views and options

Suggested layout

System requires minimum 105 gal FlexiTank (supplied)



Advice

- Pot up your plants, water through, then allow your plants to establish in the pots for a period of 7 to 10 days before turning your system on. This will encourage a stronger and healthier root system.
- Always raise your reservoir/FlexiTank to a minimum of 6" above the highest AQUAvalve5 and re-fill the reservoir/FlexiTank when there is approx. a 1/3 of the solution left – NEVER ALLOW THE RESERVOIR/FLEXITANK TO RUN EMPTY.
- With AQUAvalve5 systems mineral or organic fertilisers may be fed via the reservoir and pipework. Organic fertilisers will require a water pump in the reservoir running for 15 mins every 2 hrs and cleaning of the reservoir, pump, and filter each time the reservoir empties. Flush pipework with plain water every time the reservoir empties.
- Clean all substrate from the bottom and sides of the pots before placing in each tray. This will ensure your system is clean from the start.
- Always use free draining substrates, for example: soil/perlite, coco/perlite, soil/clay pebbles, coco/clay pebbles, rockwool/clay pebbles.

1Pot XL dimensions



1Pot XL setup instructions

- Fit the PotSock Round over the base of your pot(s)
- Fill pot with medium and pot up plants.
Water through pot and allow to drain outside the tray.
- From the outside of the module tray push the 3/8" top hat grommet into the hole in the module tray wall.
- Thread approx 12" of 3/8" pipe into the tray through the grommet.
Wetting the pipe end will aid insertion.
- Remove AQUAvalve collar
Push 3/8" pipe through collar and attach to AQUAvalve nozzle
Rescrew collar - **DONT overturn...** when you feel it grip **STOP**
- Remove any slack in the 3/8" pipe by drawing excess out of the tray.
- Align the 'half moon' section on the rear of the AQUAvalve with the 'T' section in the tray.
Firmly push the AQUAvalve onto the 'T'.
- Cut 3/8" / 1/2" pipe to appropriate length
- According to the size of your system connect your 3/8" / 1/2" pipe to relevant fitting or tank...
- Position tray so it is level
Place pot in the tray, make sure it is **CLEAN!**
Place lid over valve onto tray

Using your front instruction sheet, repeat the module set up instructions for the number of trays.

Allow your plants to establish for 7-10 days before turning system on

Advice

If you require any guidance email - info@autopot-usa.com